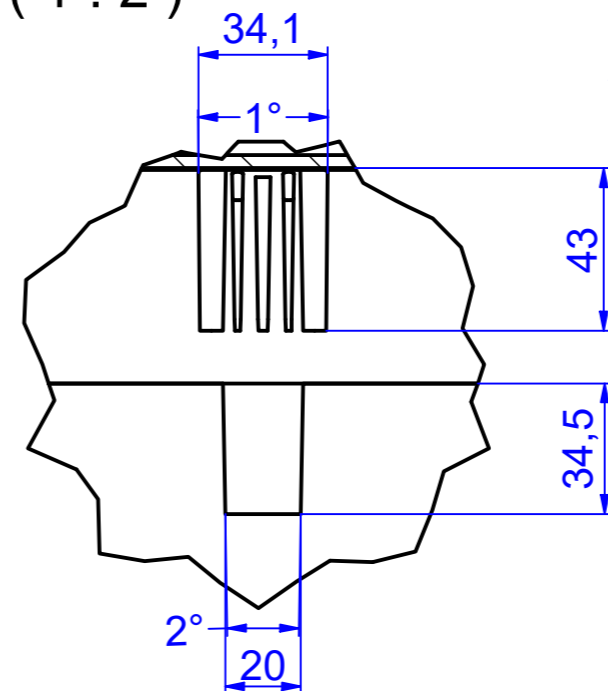
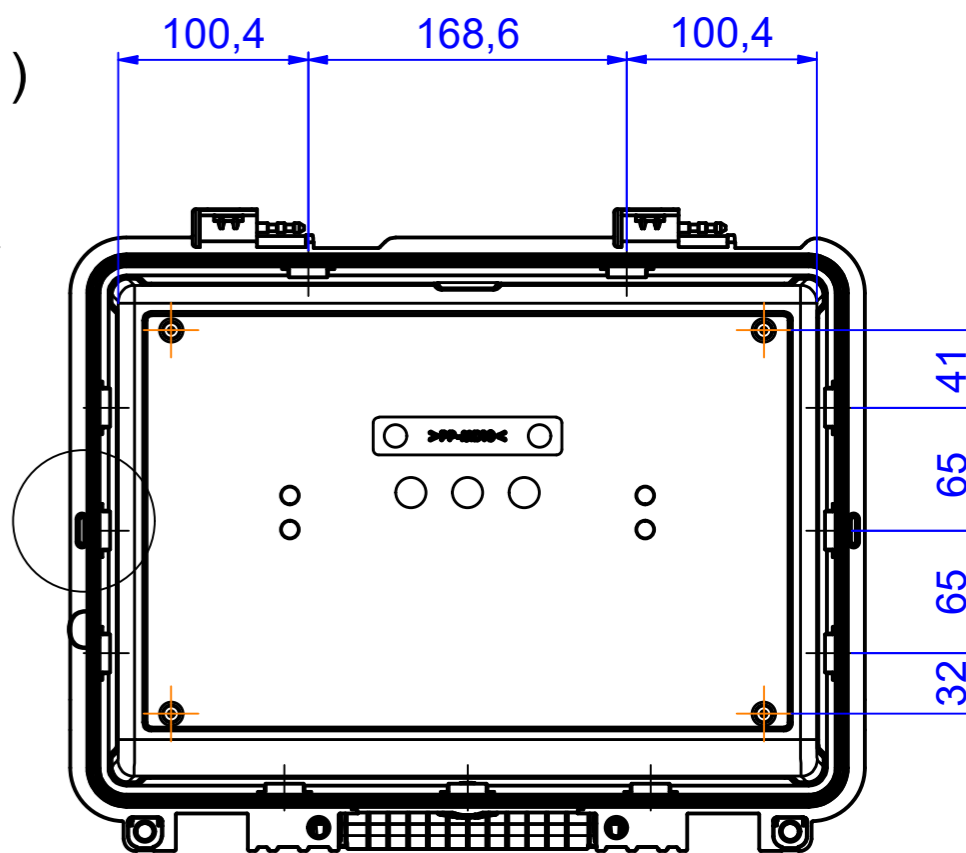
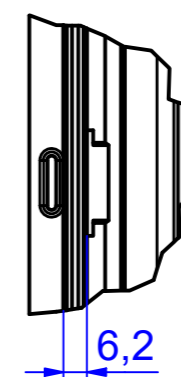


A-A (1:4)

H (1:2)

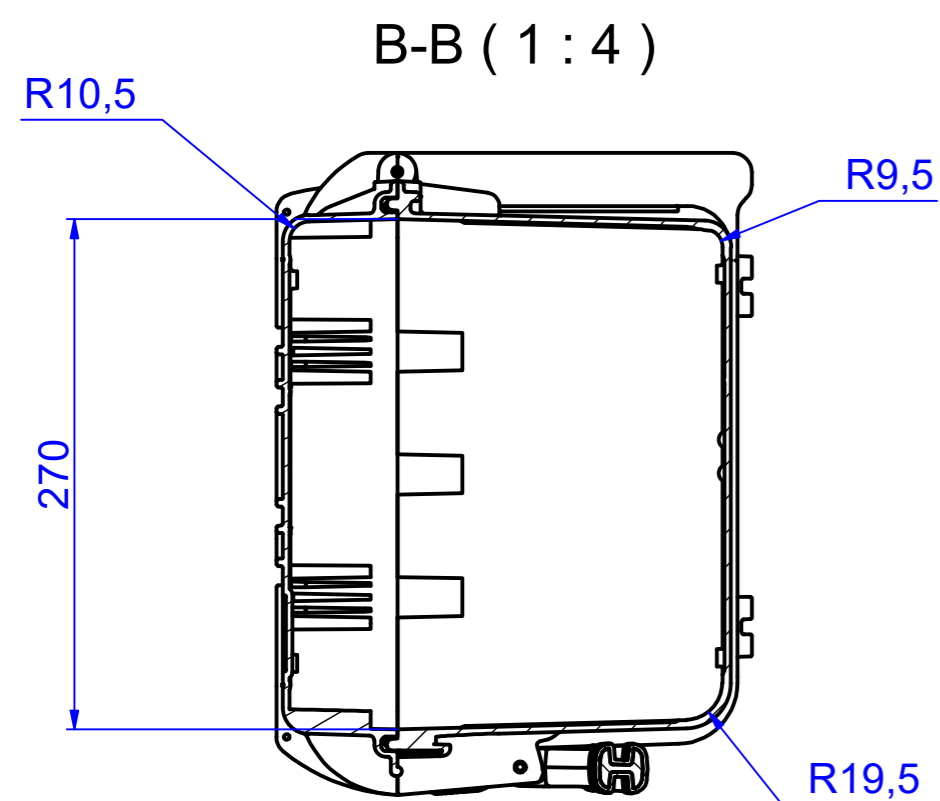
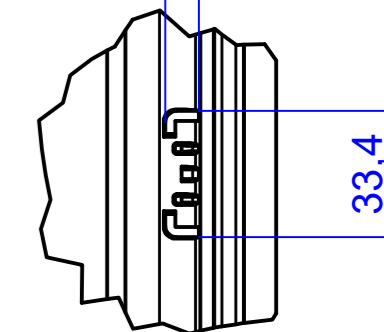


C (1:2)

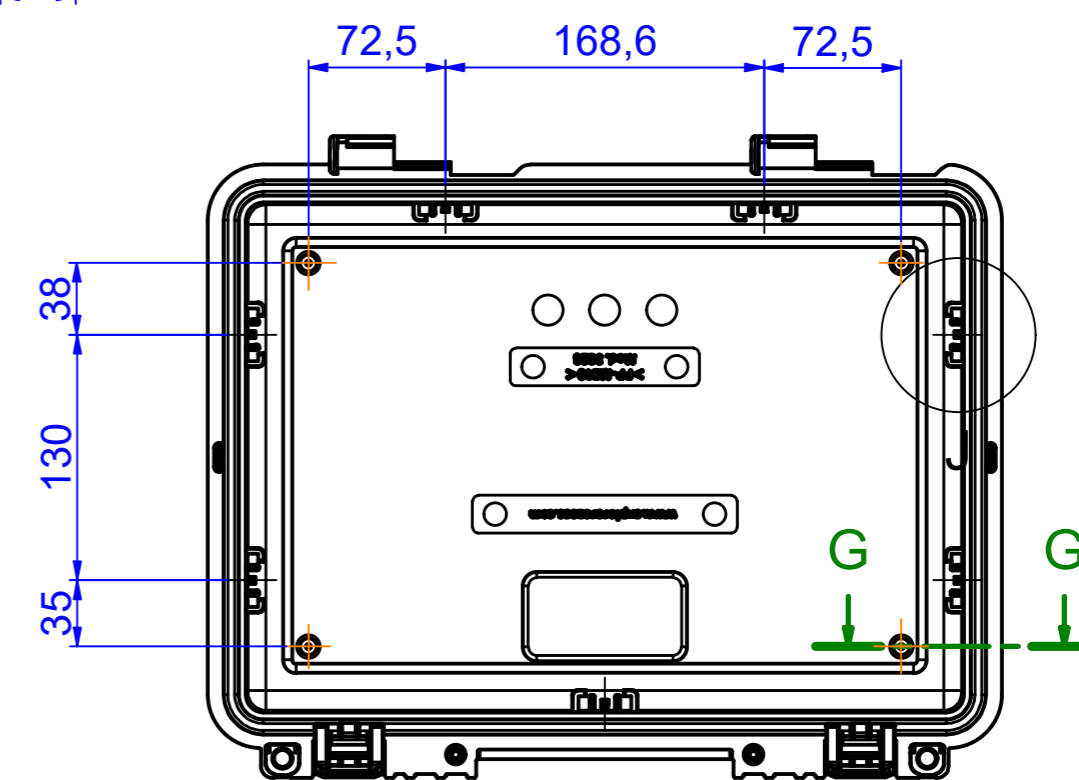
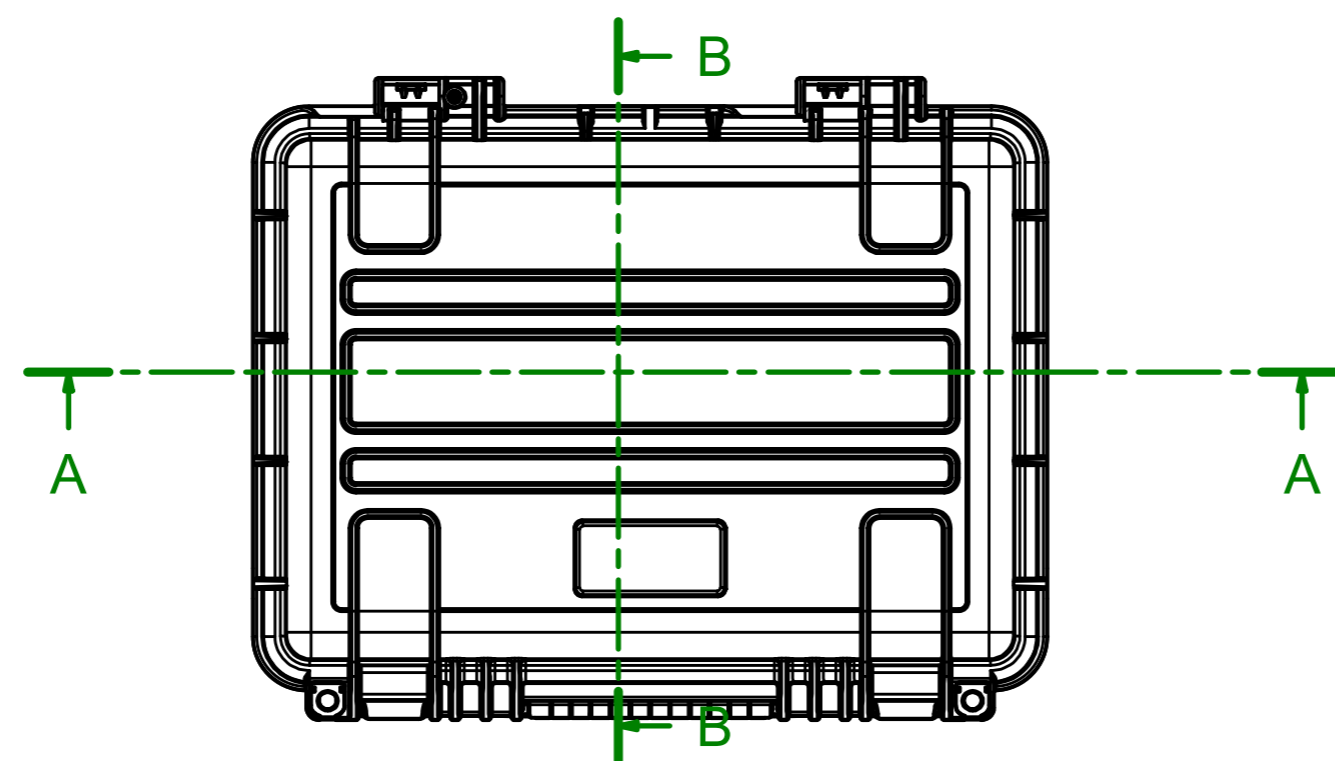


INTERNAL VIEW LID

J (1:2)

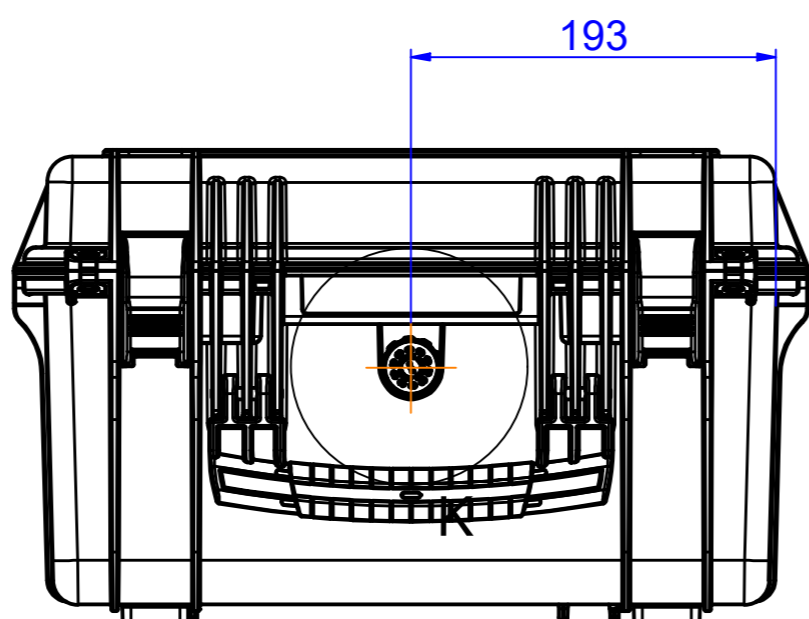
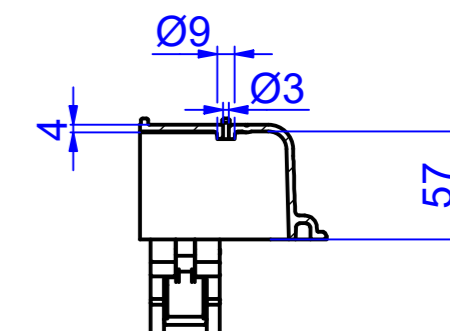


B-B (1:4)

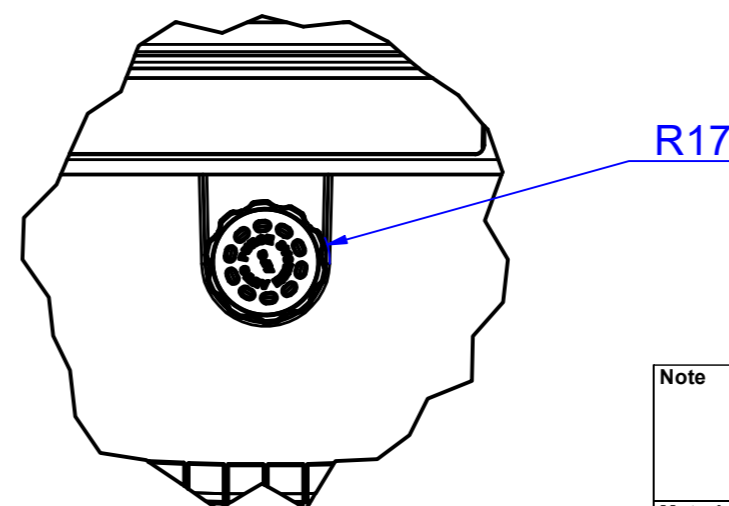


INTERNAL VIEW BOTTOM

G-G (1:4)



K (1:2)



EXPLORER CASES
Internal dimension-general tolerance +/-1.5%
GT Line - TechDept - All rights reserved

Note		Size A2	General Tolerance ±0,1
		Scale 1 : 4	
Material		Treatment	Color
Designer	Date 10/10/2023	Check	Date
Description		Replace by	Date
		File Name 3823HL	Revision