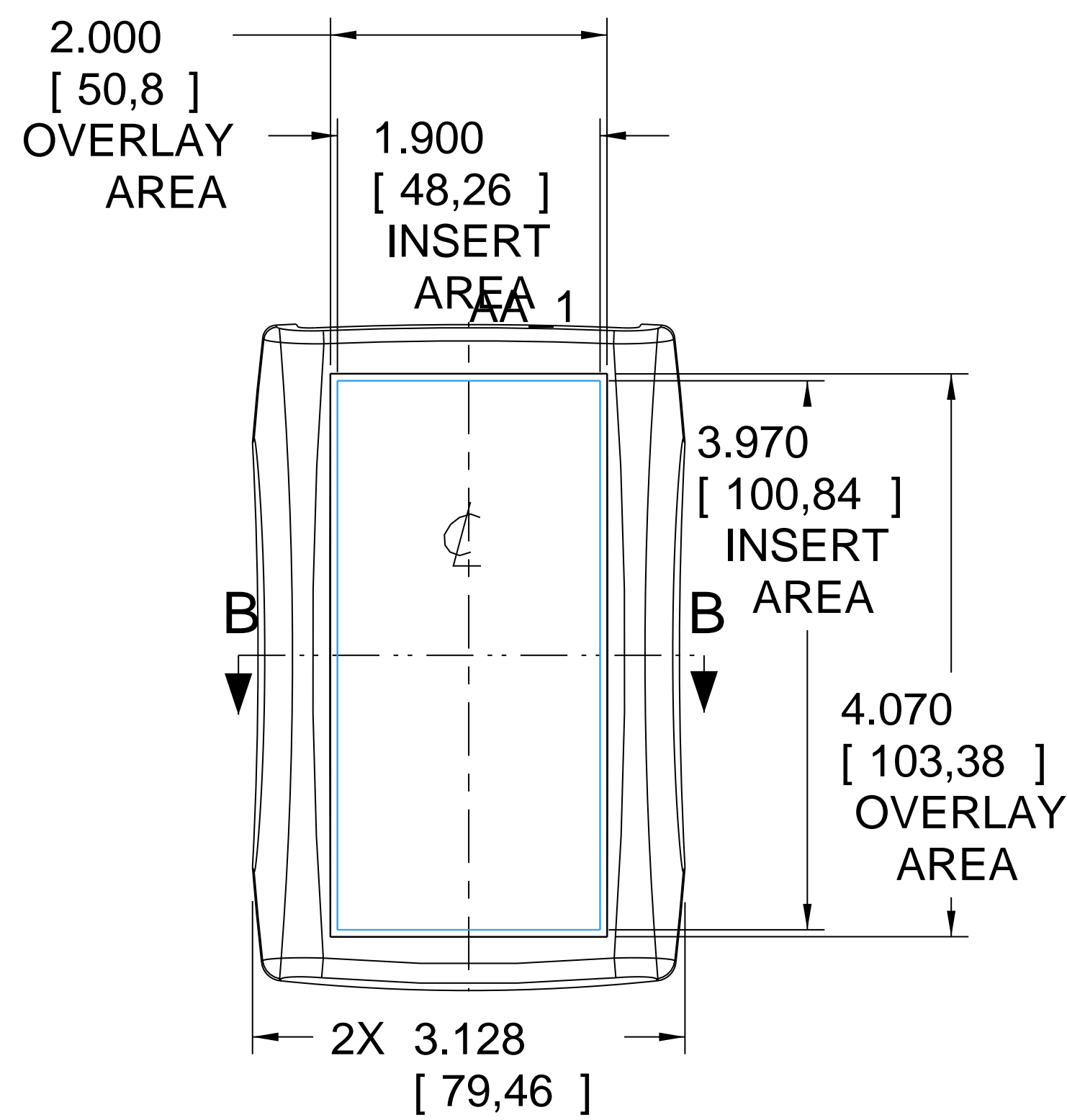
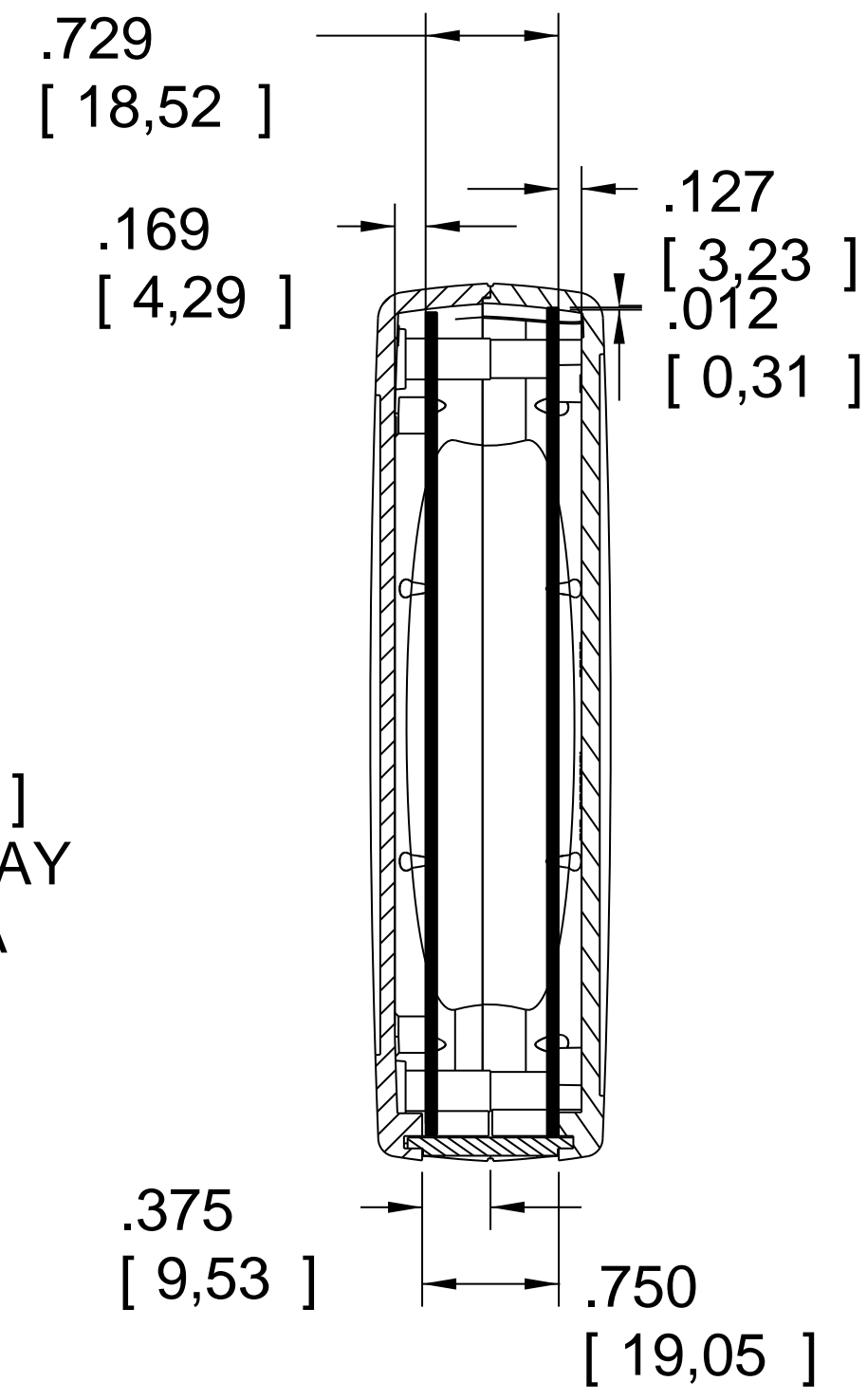


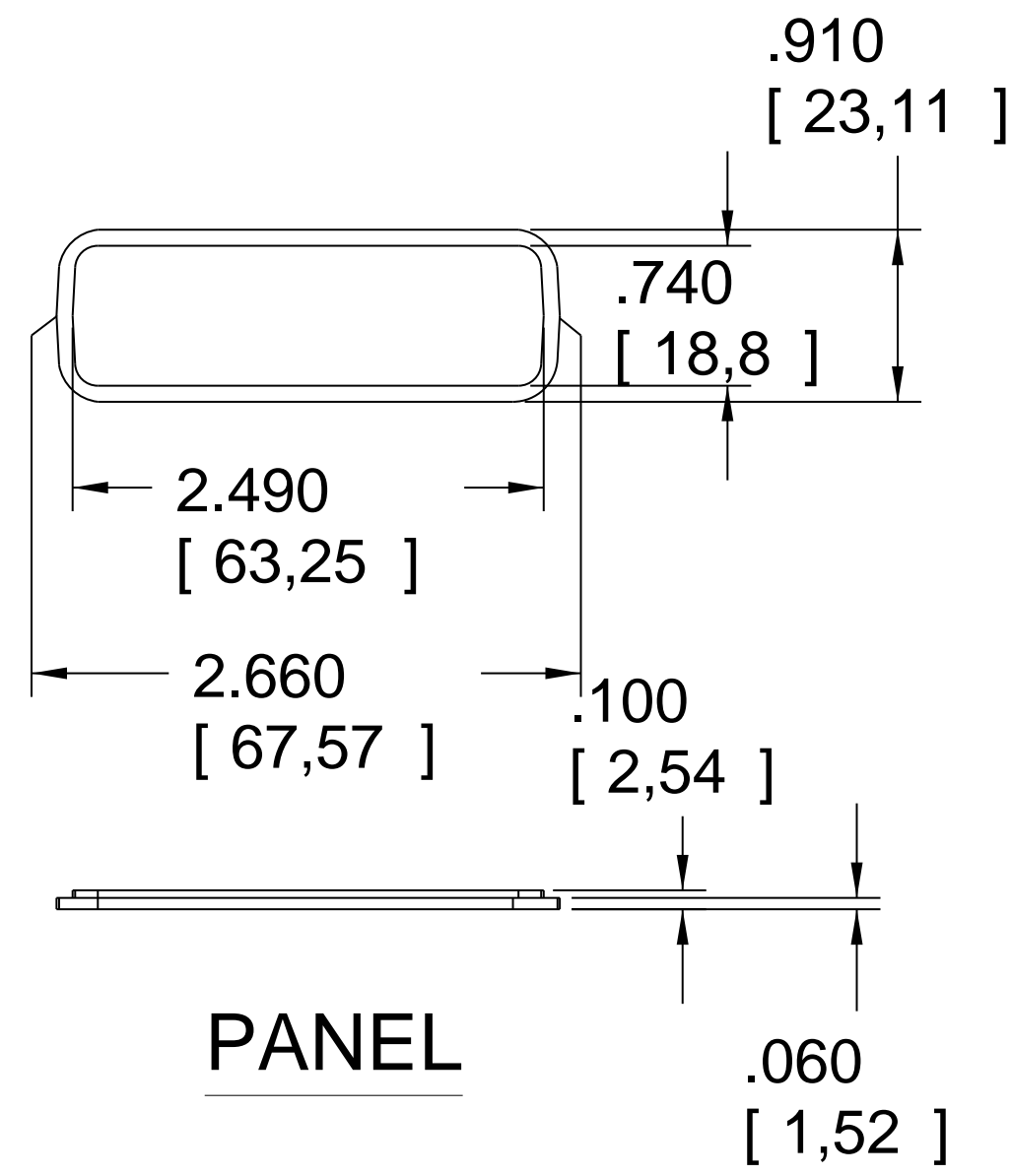
SECTION B-B



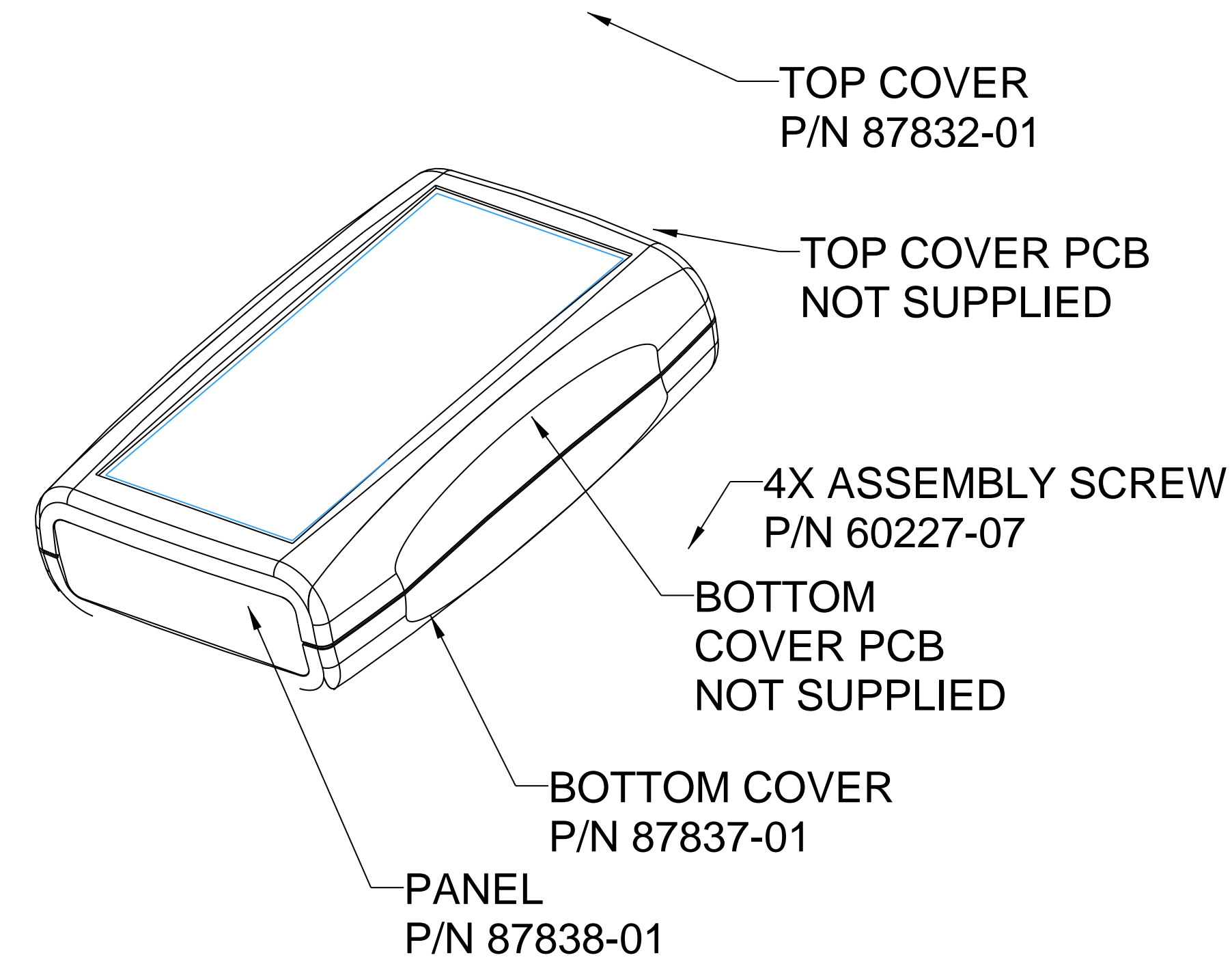
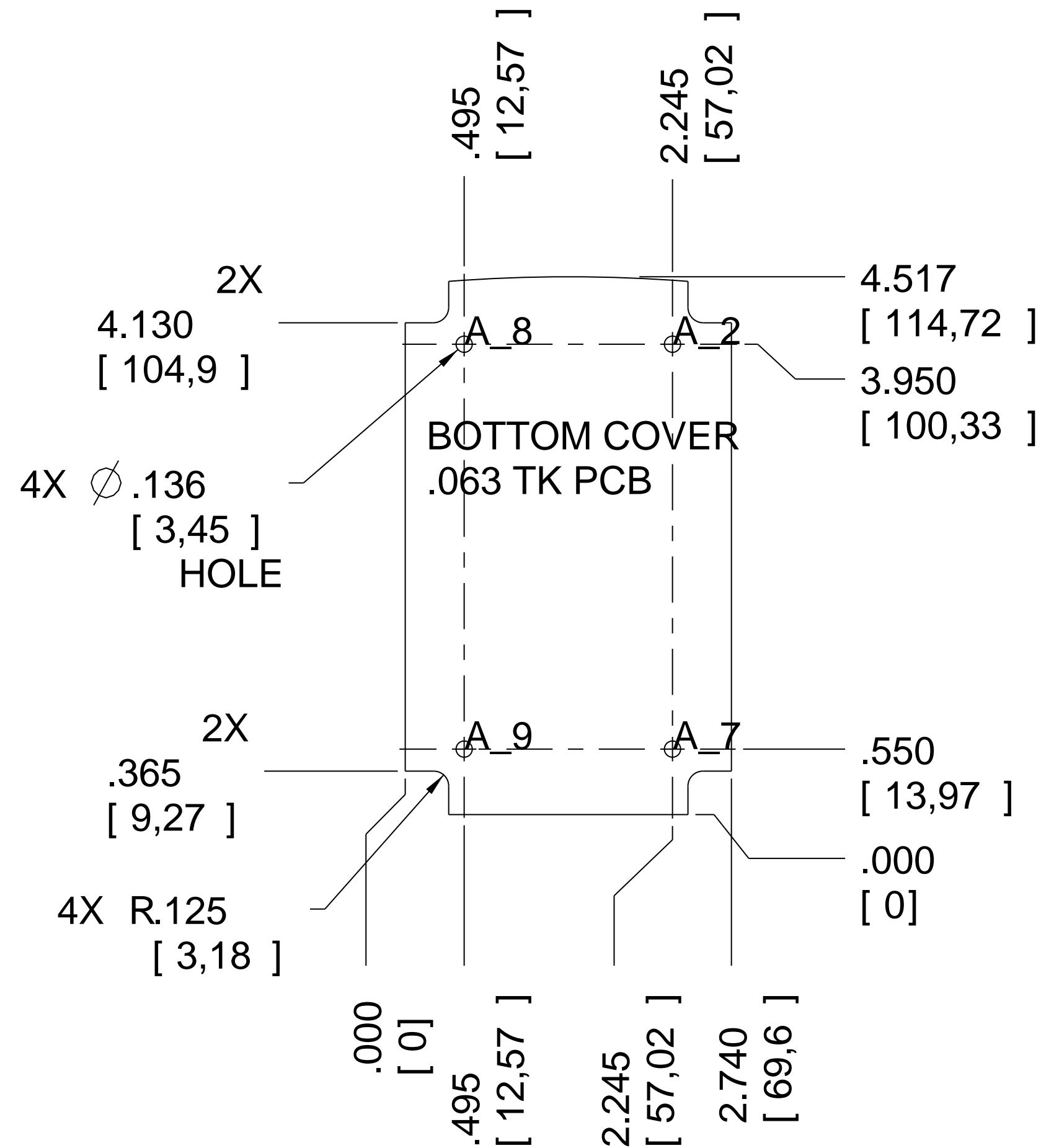
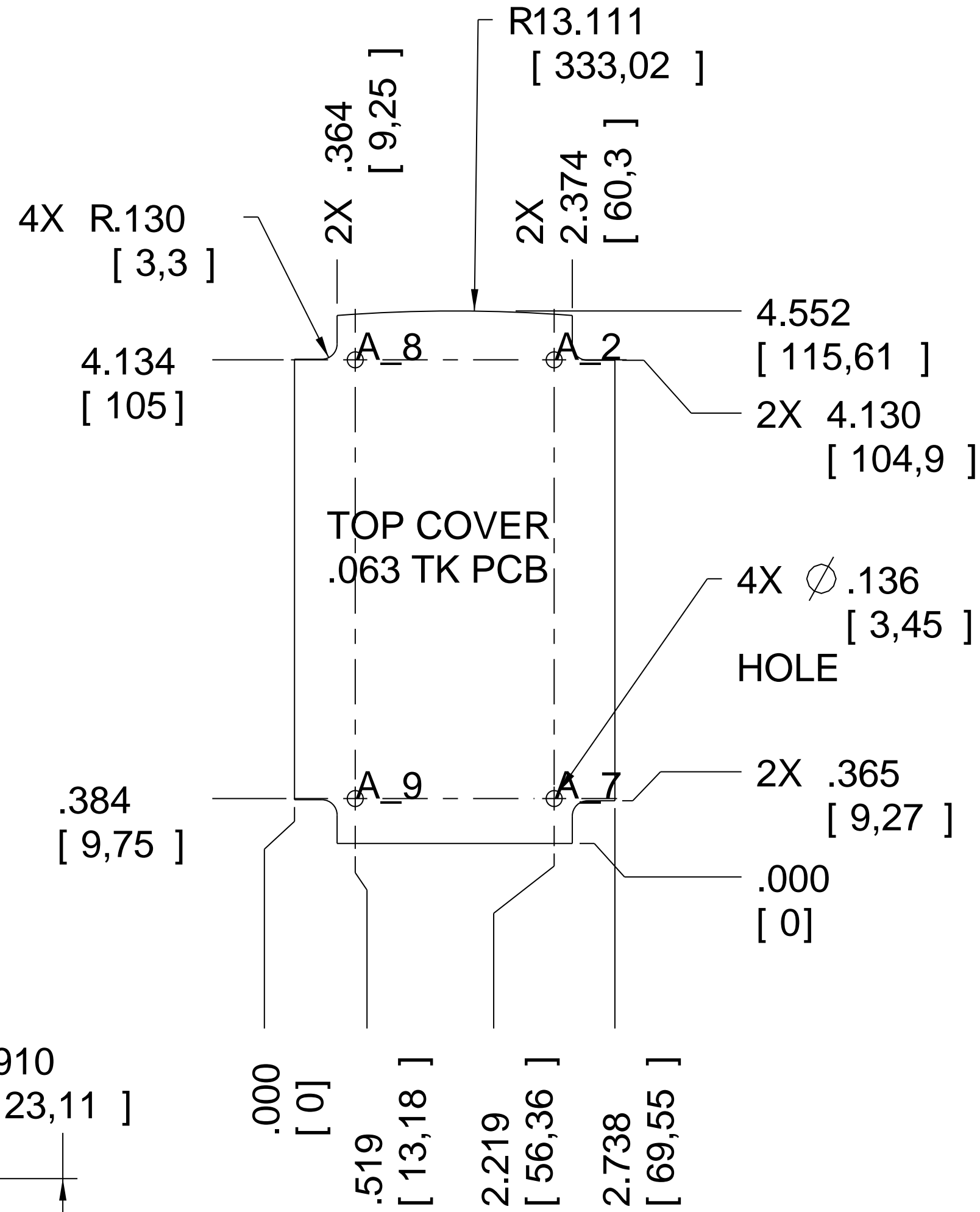
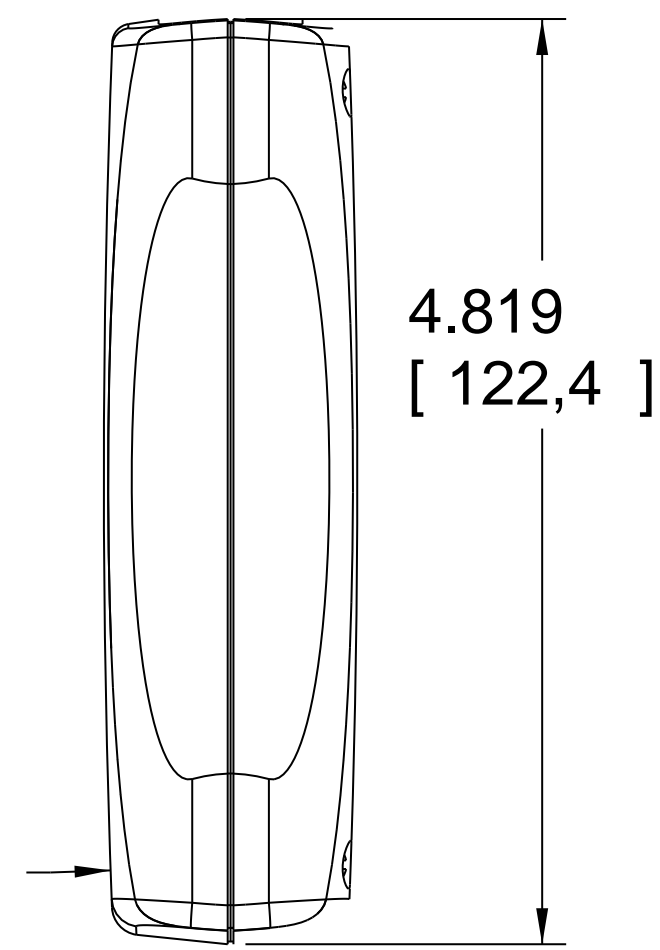
2X R58.831 [1494,31]



SECTION A-A



PANEL



- NOTES:
- PL 87831-510-___ FOR ASY WITH EBONY (PMS BLACK C) RUBBER TRIM.
PL 87867-510-___ FOR ASY WITH DARK GRAY (PMS #431) RUBBER TRIM.
 - USE #4 TYPE "B" PAN HEAD THREAD FORMING SCRES TO MOUNT PCB.

PACNTEC[®]
1-610-361-4231

PPLX

VISIT **PACNTEC**[®]
ON THE WORLD WIDE WEB
www.pactecenclosures.com

INSERT AREAS ARE SECTIONS IN OUR TOOLS THAT CAN BE REMOVED AND REPLACED WITH CUSTOMER SPECIFIC DETAILS

DRAWING NUMBER	REV
87840	01