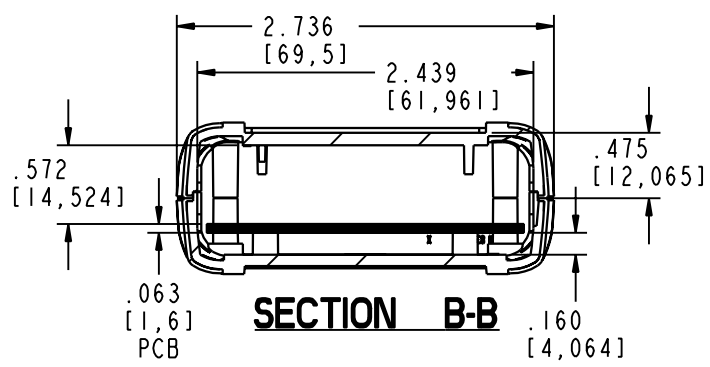
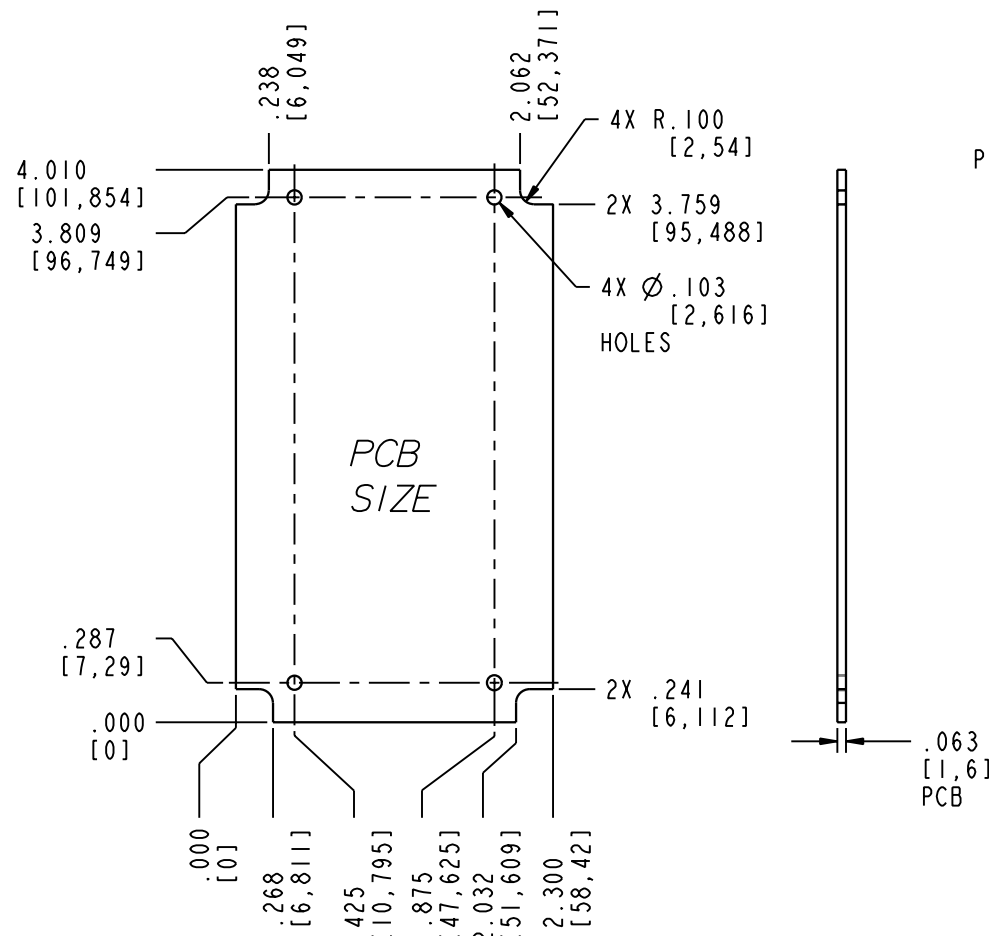
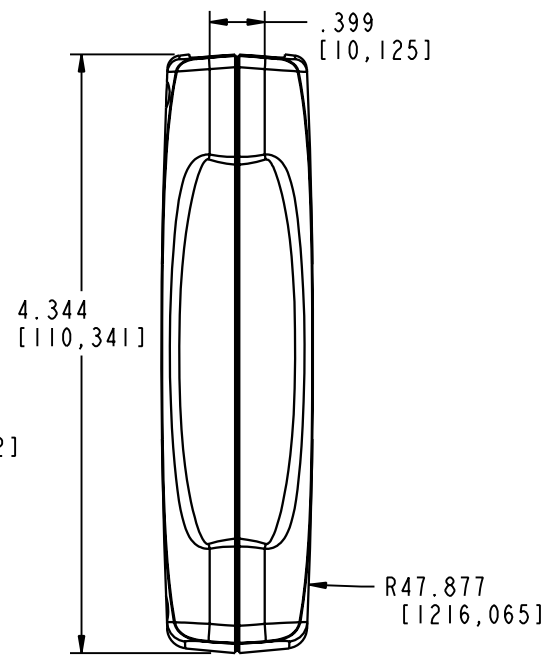
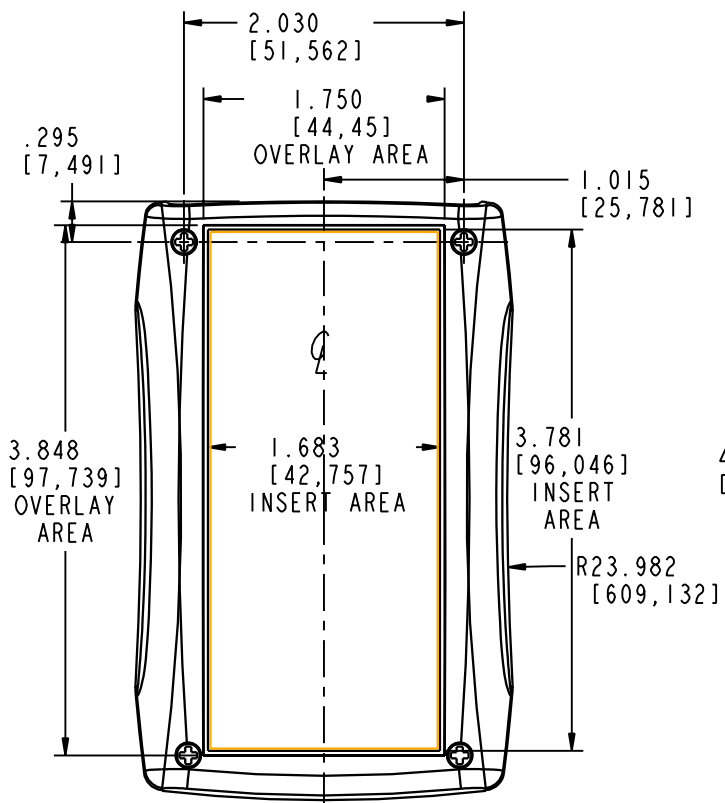
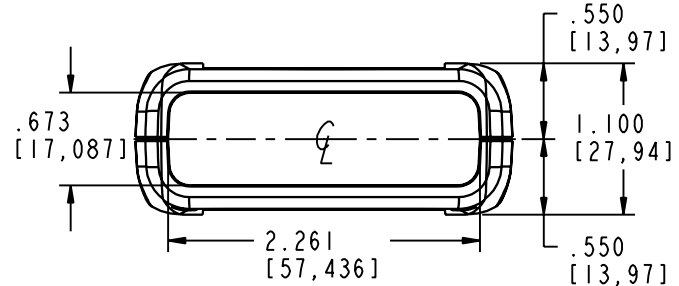


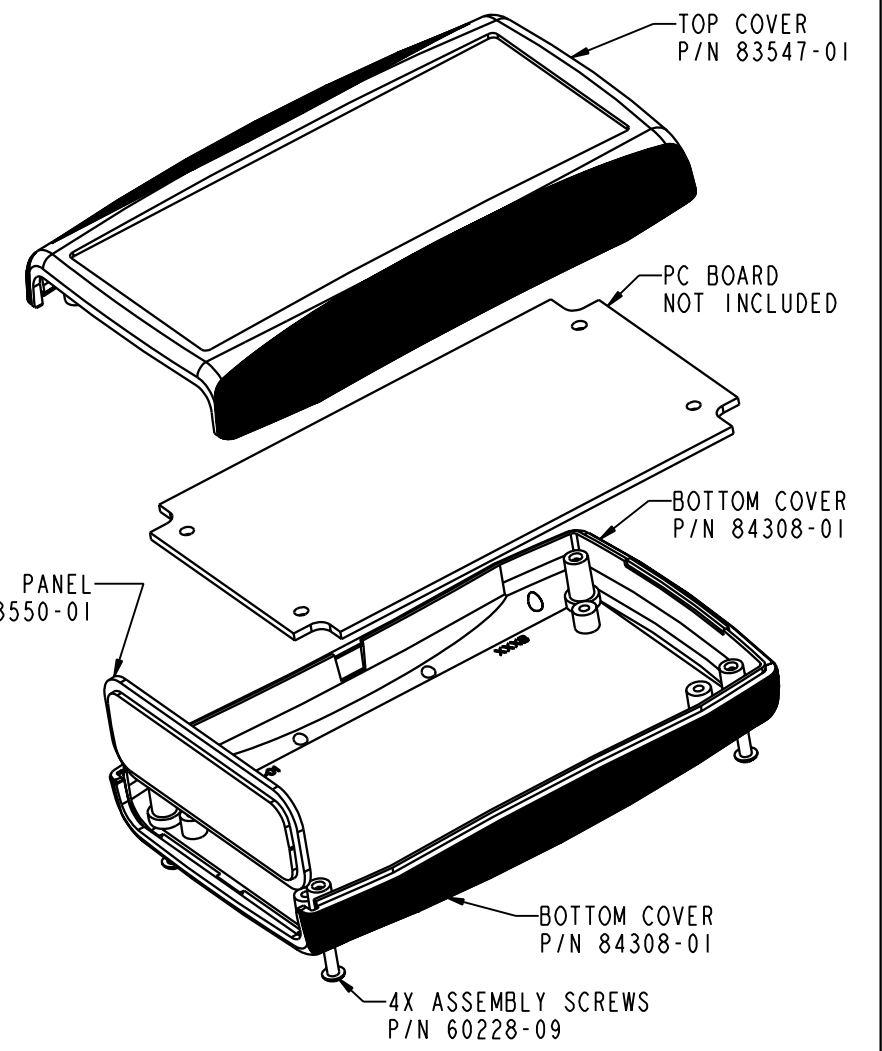
SECTION A-A



SECTION B-B

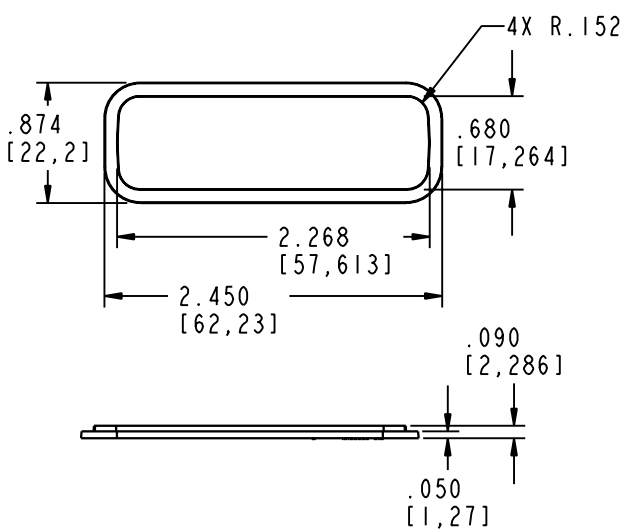


PCB SIZE



NOTE:

1. PL 84306-510-... FOR ASSY WITH EBONY (PMS BLACK C) RUBBER TRIM.
PL 84307-510-... FOR ASSY WITH DARK GRAY (PMS #433) RUBBER TRIM.
2. PC BOARD IS MOUNTED WITH 4 #2 TYPE "B" TRHEAD FORMING SCREWS (NOT SUPPLIED).



PACNTEC[®]
1-610-361-4231

PPL

VISIT **PACNTEC**[®]
ON THE WORLD WIDE WEB
www.pactecenclosures.com

COLOR / MATERIAL CODE		
COLOR	94HB	94VO
LT GRAY	508	308

DRAWING NUMBER	REV
84309	B