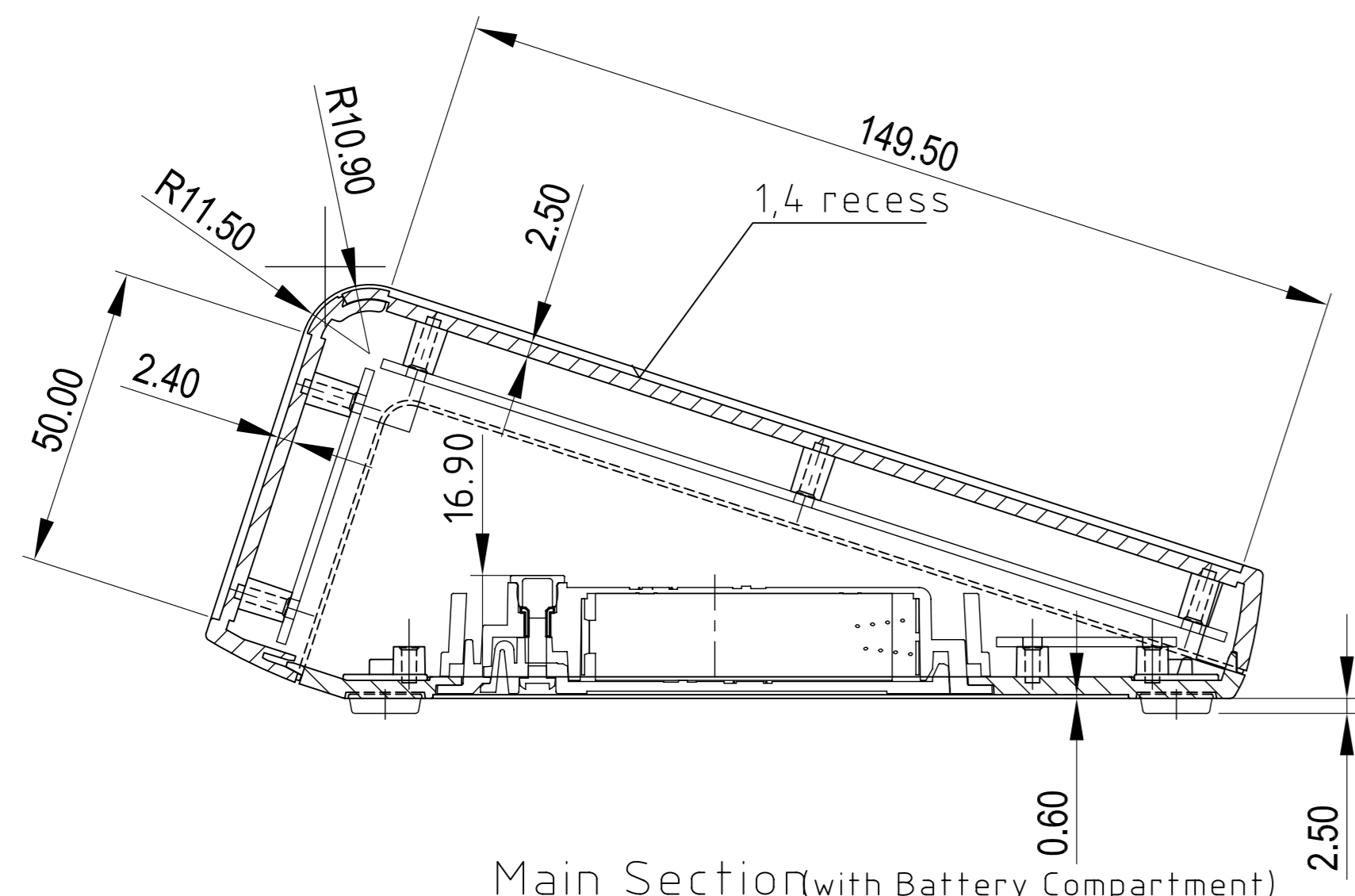
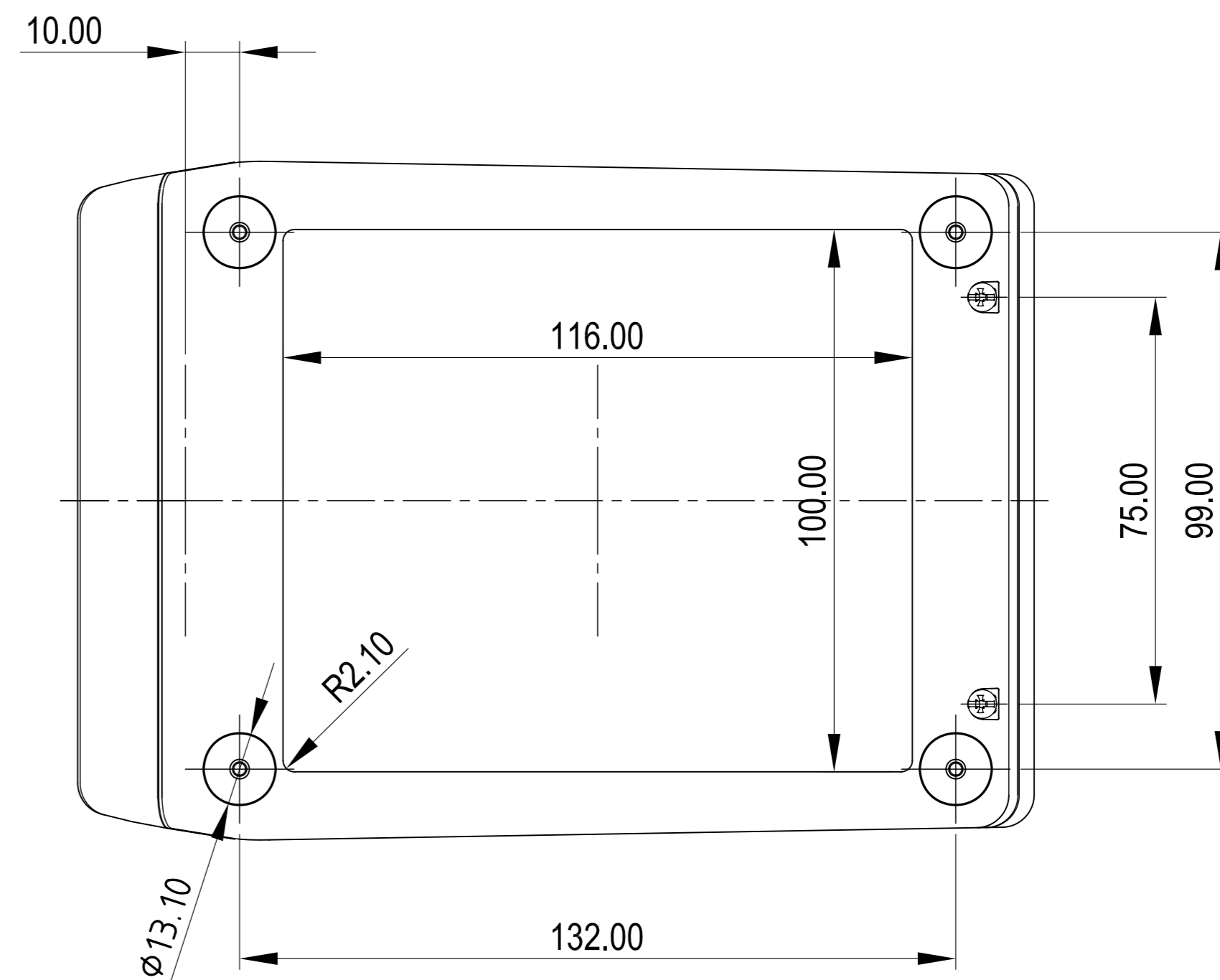
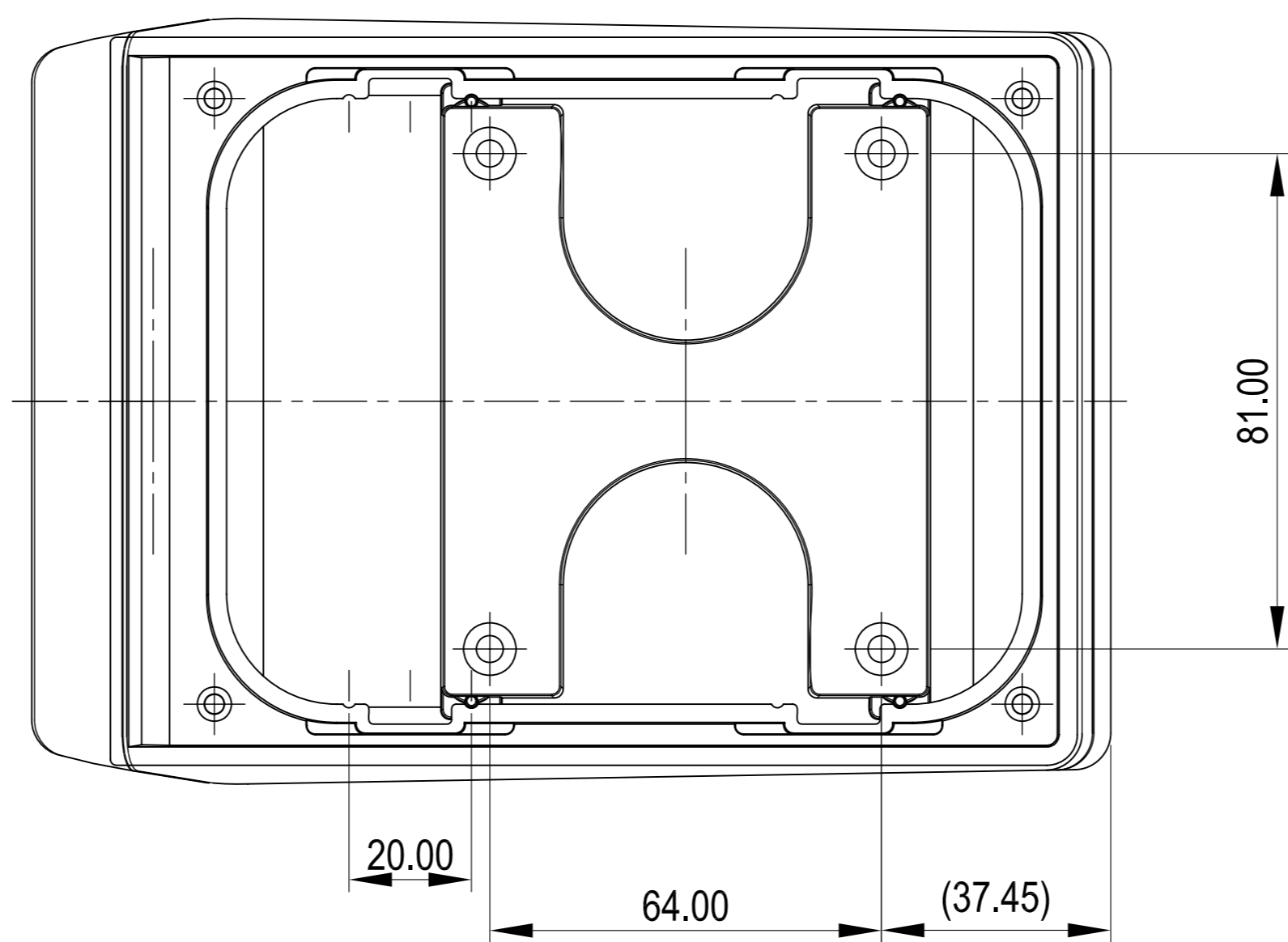
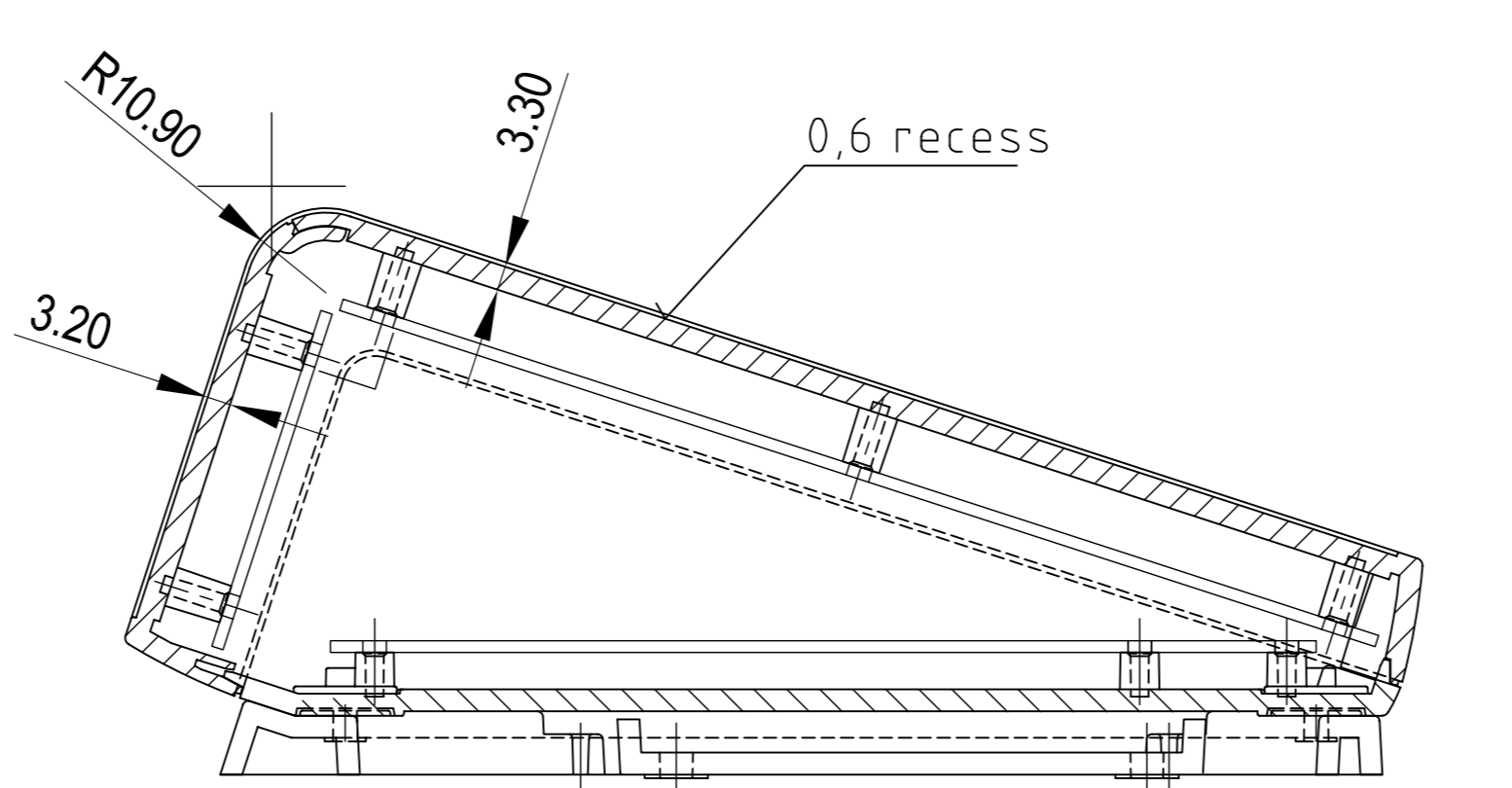


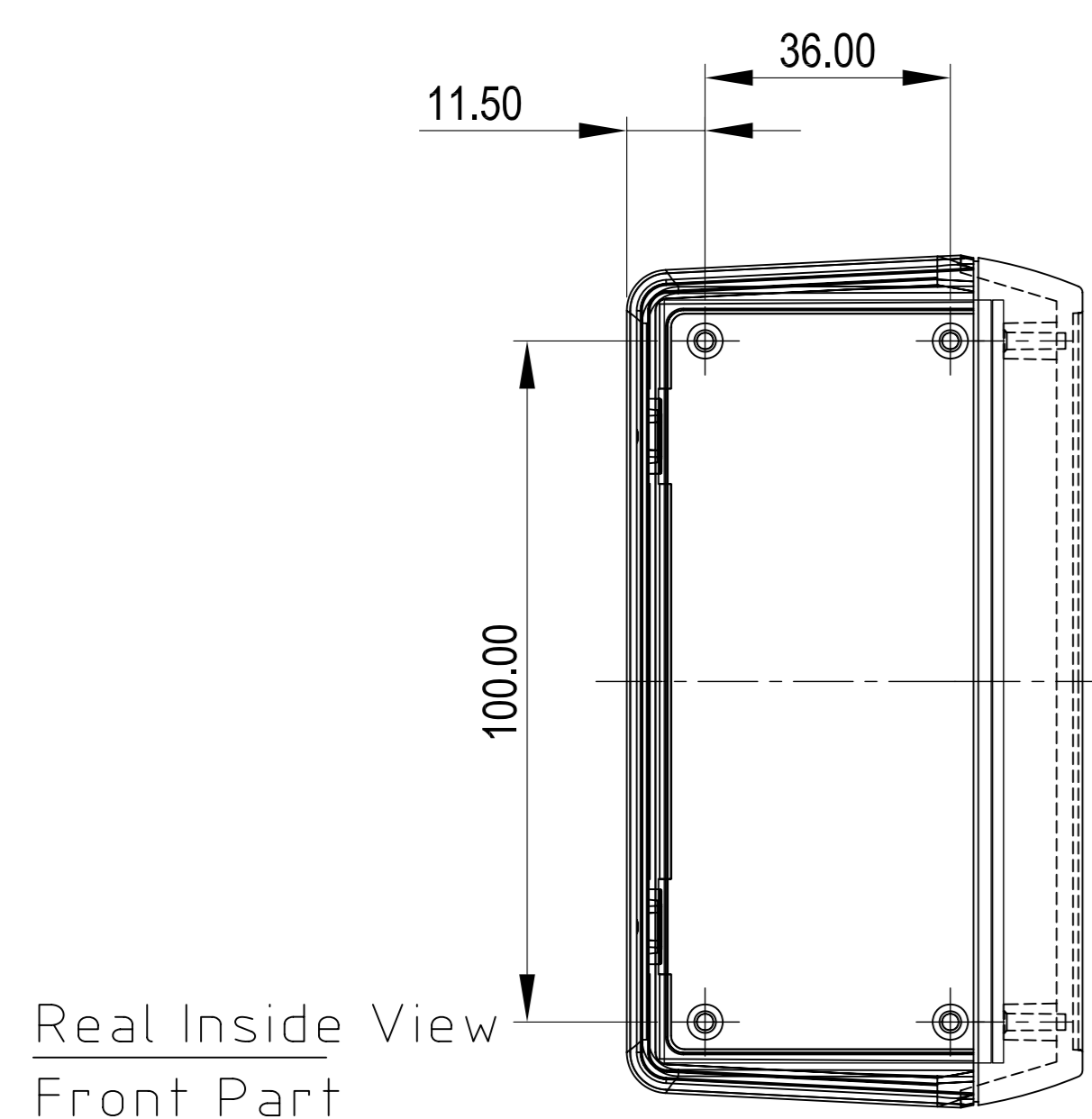
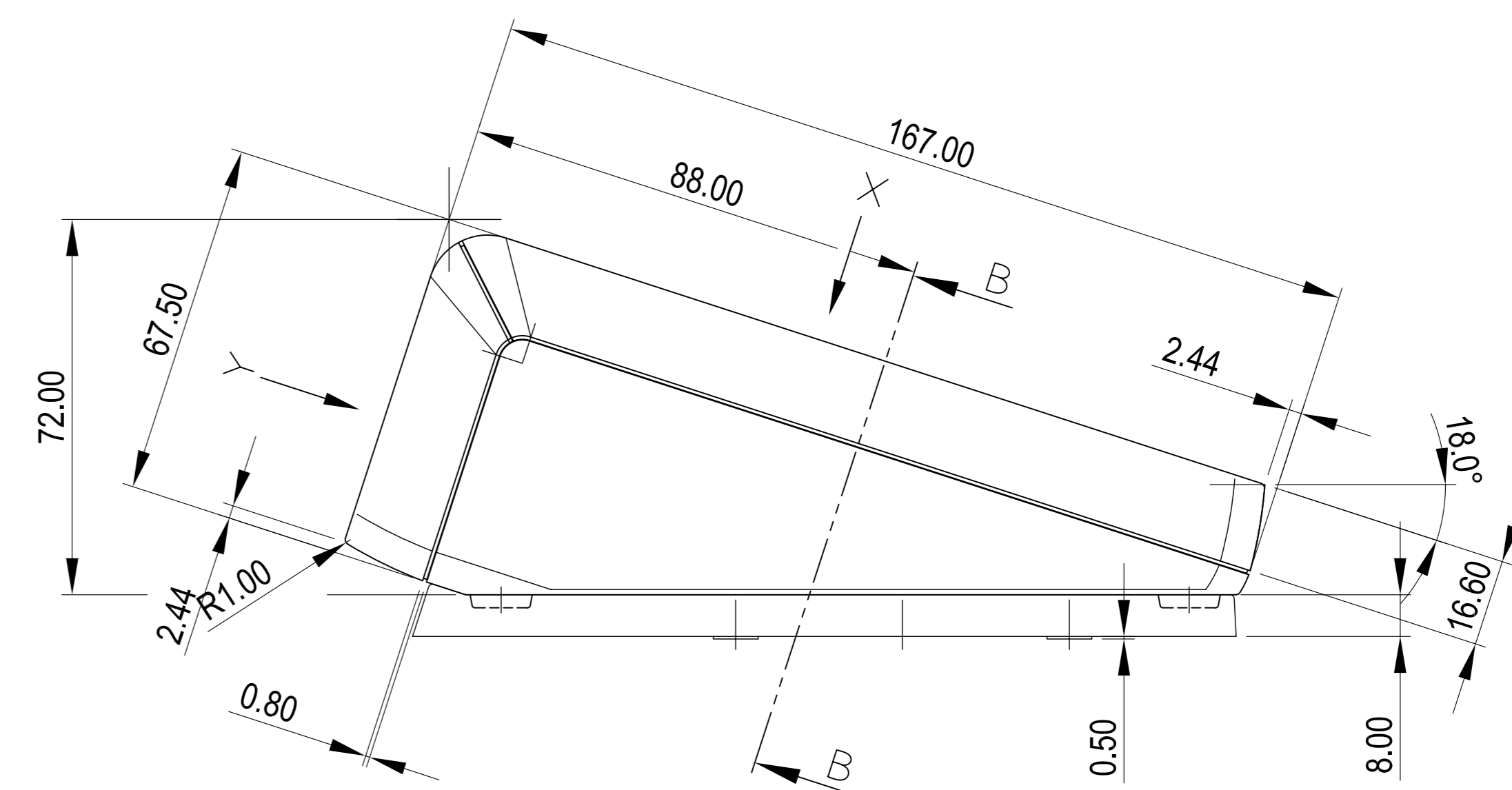
Real Inside View
Bottom Part



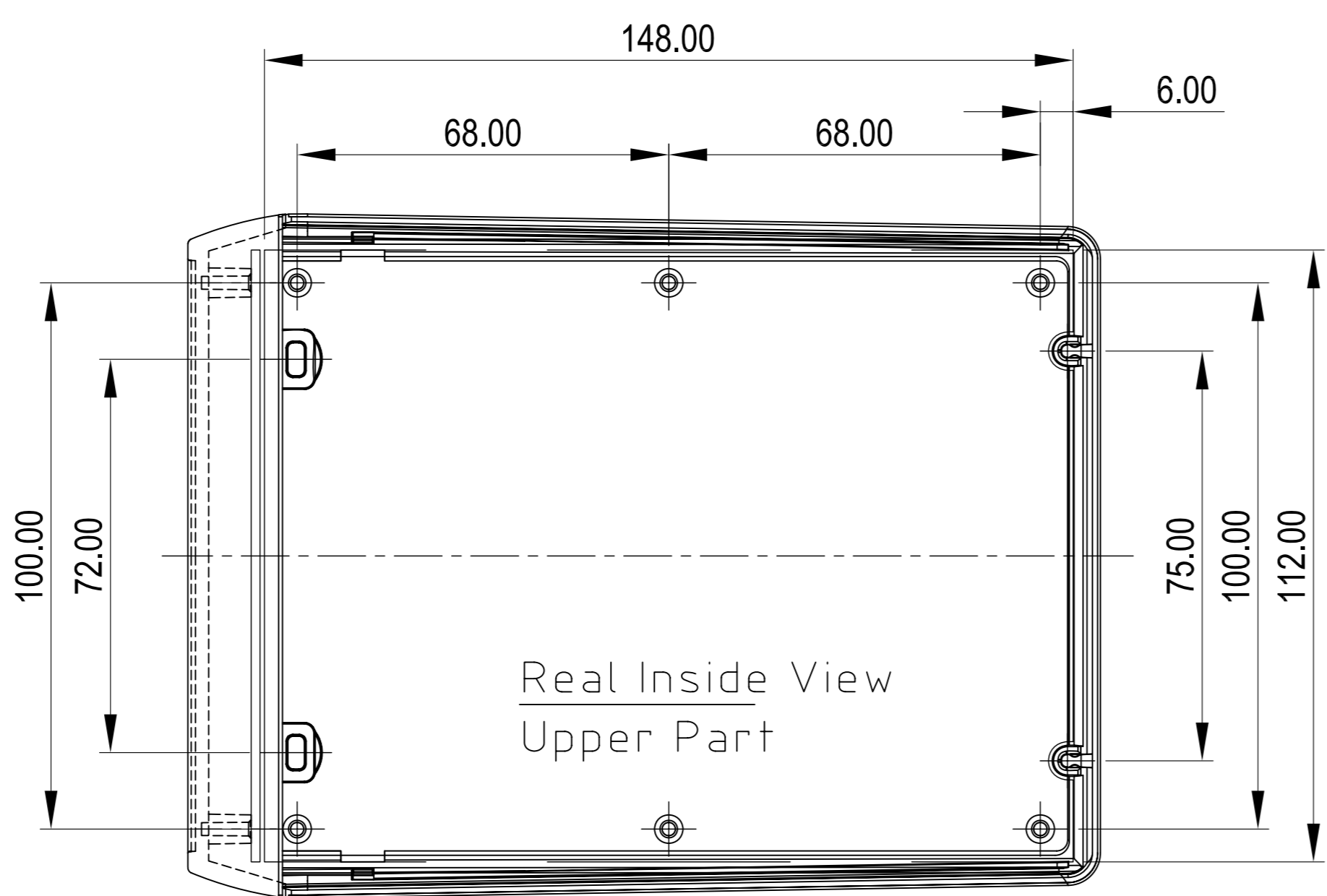
Main Section (with Battery Compartment)



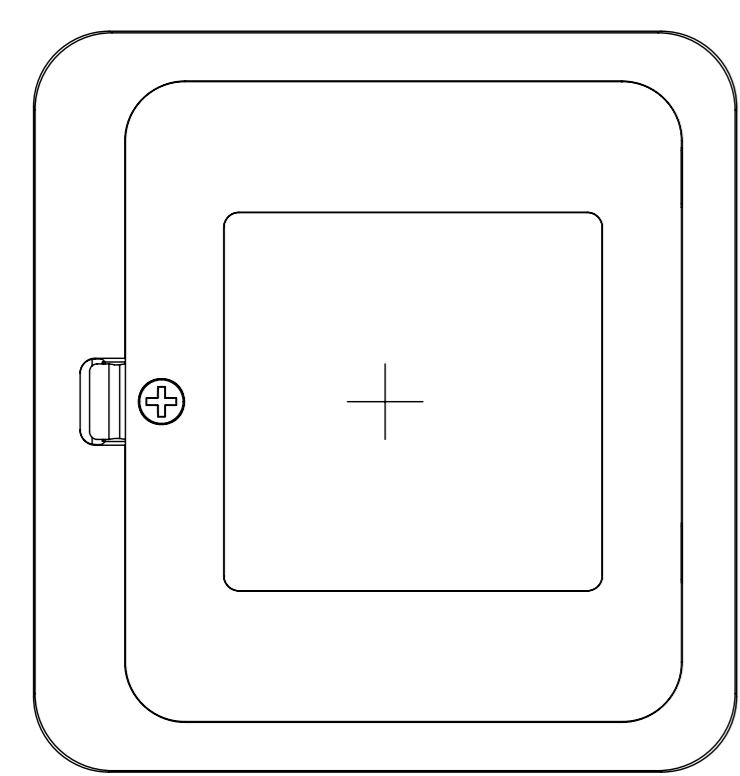
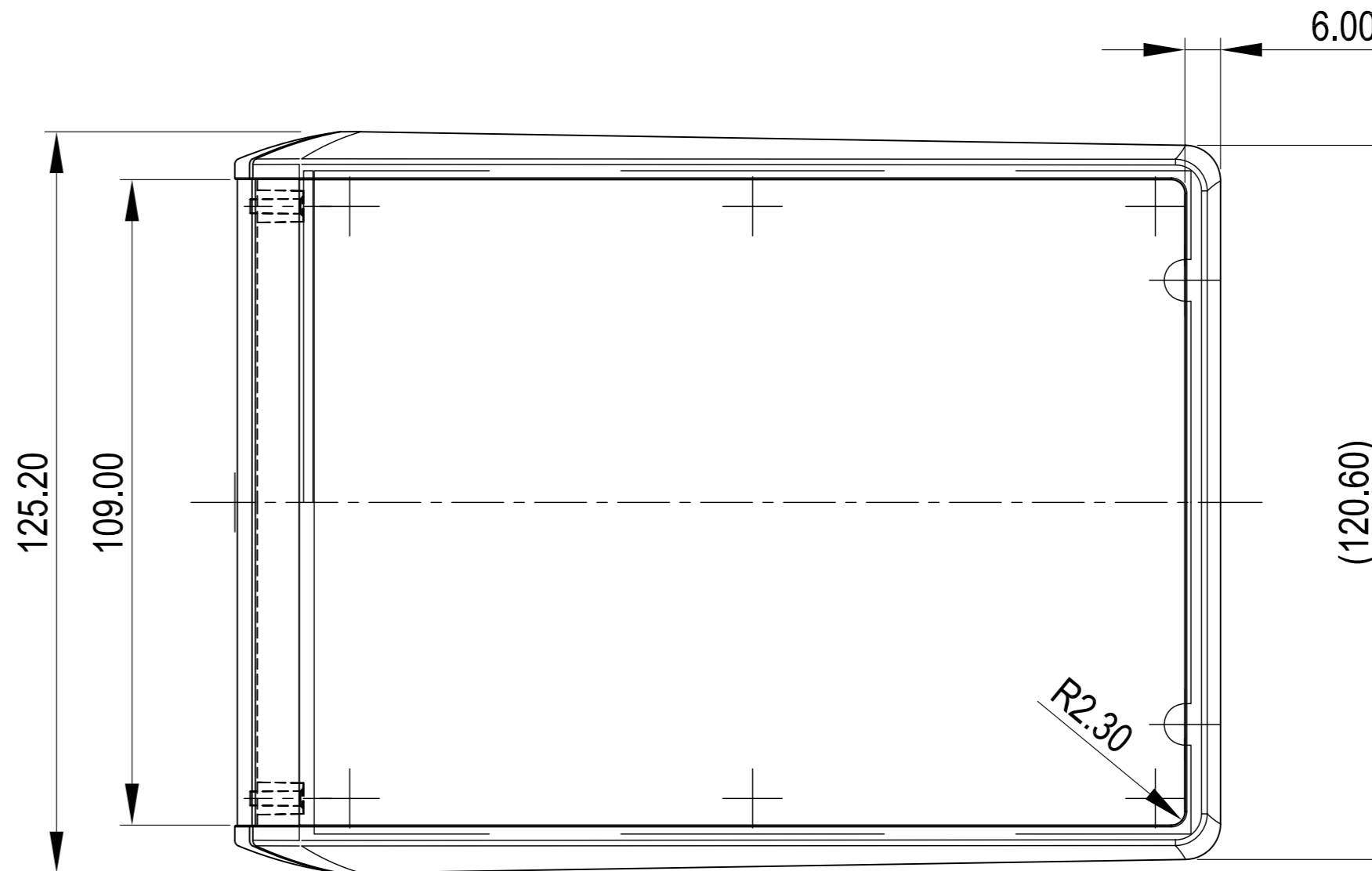
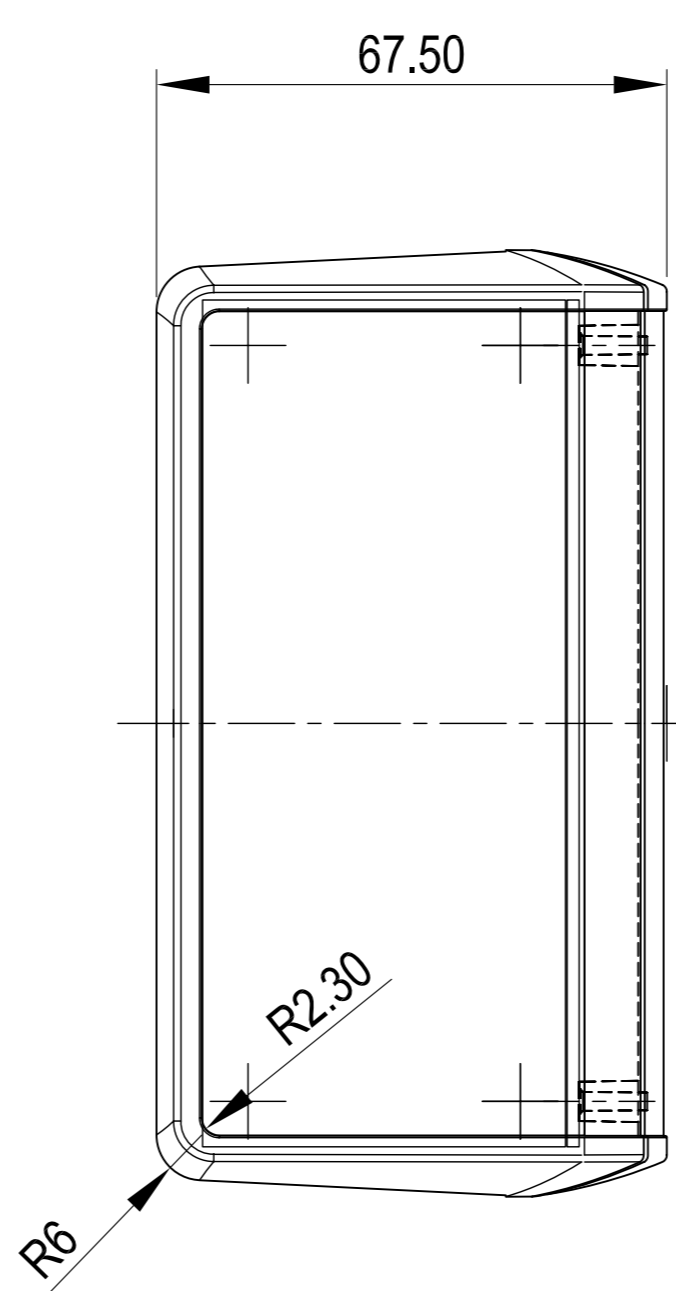
Main Section (incl. wall suspension elements)



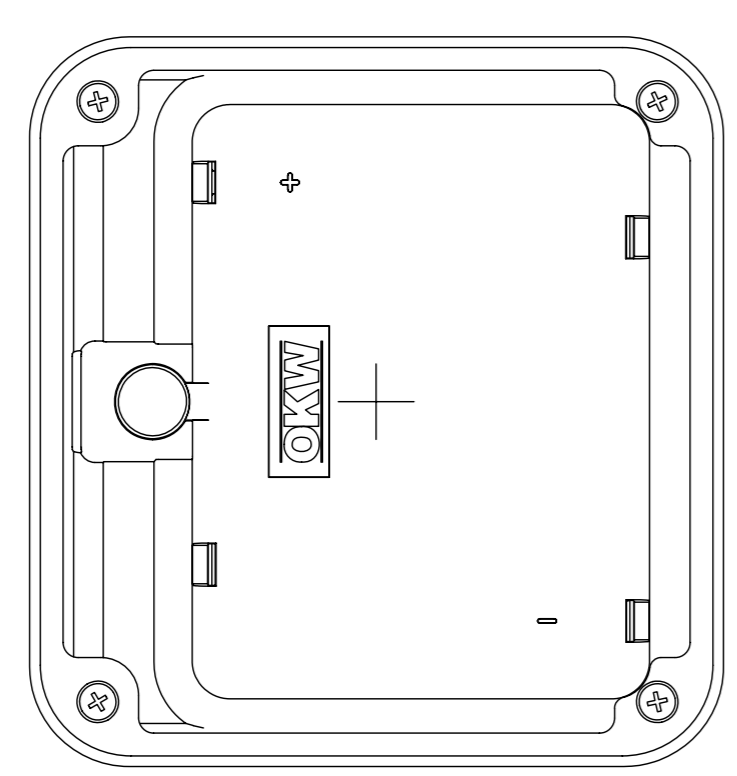
Real Inside View
Front Part



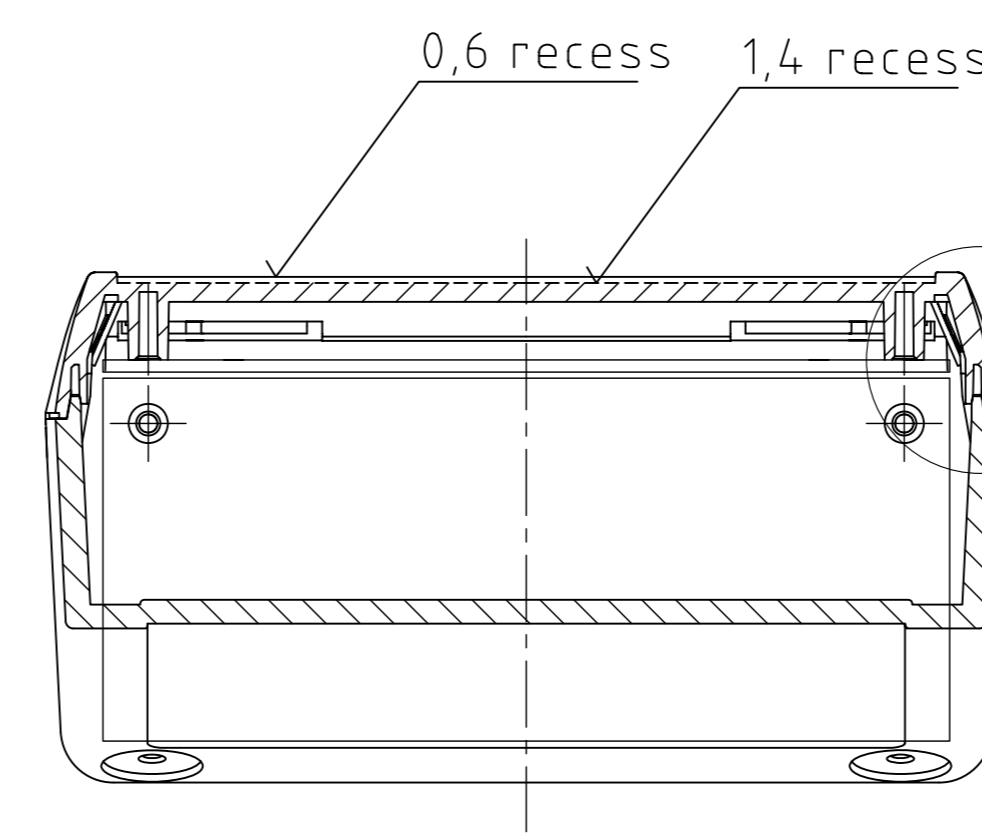
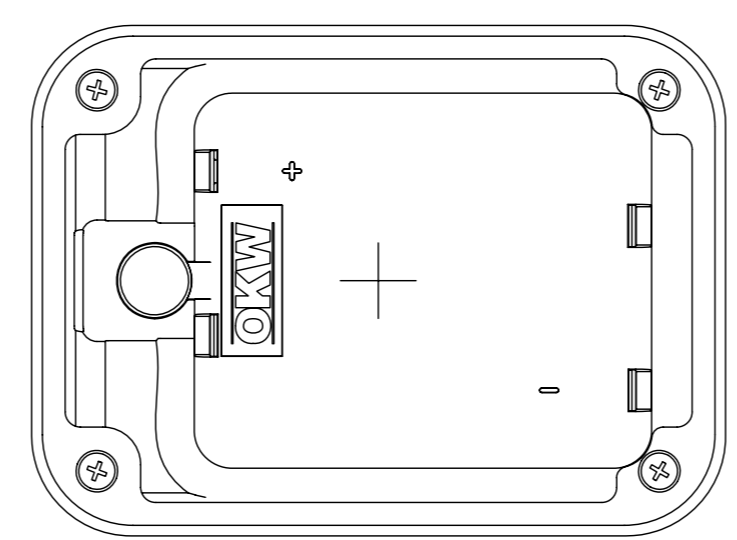
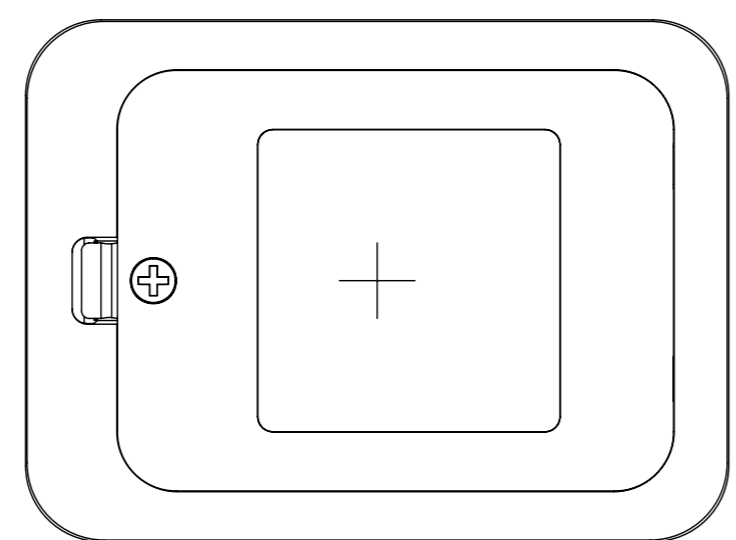
Real Inside View
Upper Part



5xAA Battery Compartment



3xAA Battery Compartment



Section B-B

Informationskopie wird nicht aktualisiert	Copy for Information will not be updated	Doc. nr.: 24.02.10	Material:	Toleranzen:	
Ersteller: BSH	Projektor: BSH	Revis. Nr.: 1	Farbe:	Zielfunktion:	
Datum: 24.02.10					<p>The document contains proprietary information of OKW Gehäuse-Systeme GmbH. It is intended solely for the customer. It is not to be reproduced or copied in any form, in whole or in part, without the prior written consent of OKW Gehäuse-Systeme GmbH.</p> <p>Subject to technical modification without prior notice. Typographical and other errors do not justify any claim for damages. All dimensions should be verified using an actual modelled part.</p> <p>Si vous réserve de modifications techniques. Toute erreur ou faute d'impression ne justifie aucune demande d'indemnisation. Nous prions les clients de vérifier les dimensions des composants avec les modèles avant le montage.</p>
<p>OKW GEHÄUSE SYSTEME</p>		<p>UNITEC S All Versions B4054XXX</p>		<p>Gezeichnet:</p> <p>Both</p> <p>00012071</p>	<p>Rev. 01</p> <p>00012071</p>